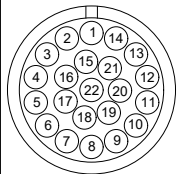
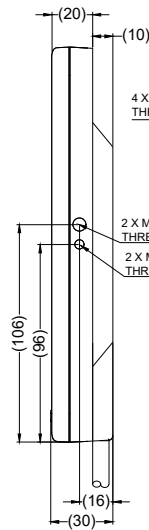
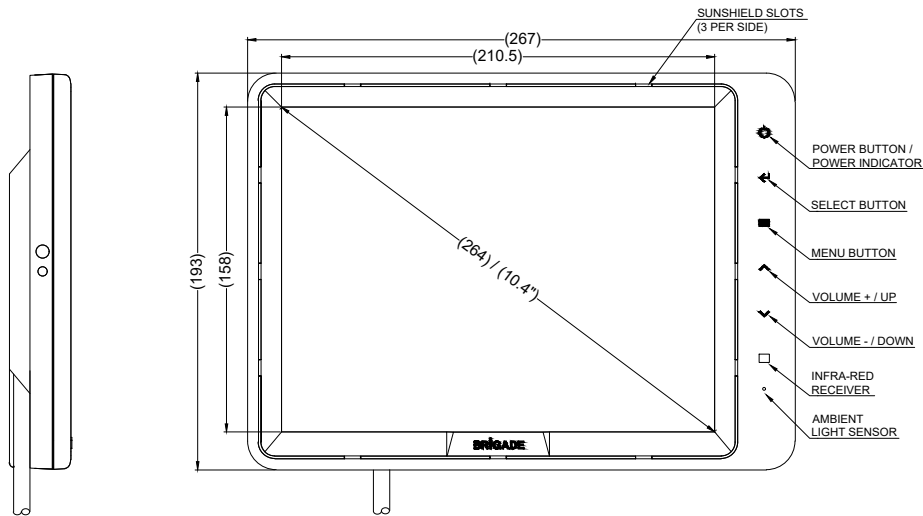
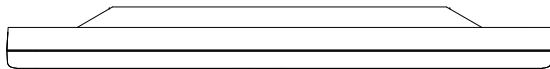


PIN#	DESCRIPTION	COLOUR
1	+12/24V	RED
2	TRIGGER 3	WHITE/BLUE
3	TRIGGER 2	BLUE
4	TRIGGER 4	BROWN
5	TRIGGER 1	PURPLE
6	GROUND	SHIELD
7	CA1 VIDEO	YELLOW
8	CA1 AUDIO	WHITE/YELLOW
9	CA1 +12V	LIGHT RED
10	CA2 VIDEO	WHITE
11	CA2 AUDIO	LIGHT GREEN
12	GROUND	BLACK
13	CA2 +12V	WHITE/RED
14	CA3 +12V	WHITE/GREEN
15	CA4 VIDEO	ORANGE
16	CA4 AUDIO	LIGHT BLUE
17	CA4 +12V	GREEN
18	CA3 VIDEO	WHITE/ORANGE
19	CA3 AUDIO	WHITE/L- GREEN
20	TRIGGER 5	WHITE/BLACK
21	NOT USED	NO CONNECTION
22	NOT USED	NO CONNECTION

VIEW A



22 PIN MALE MATING FACE



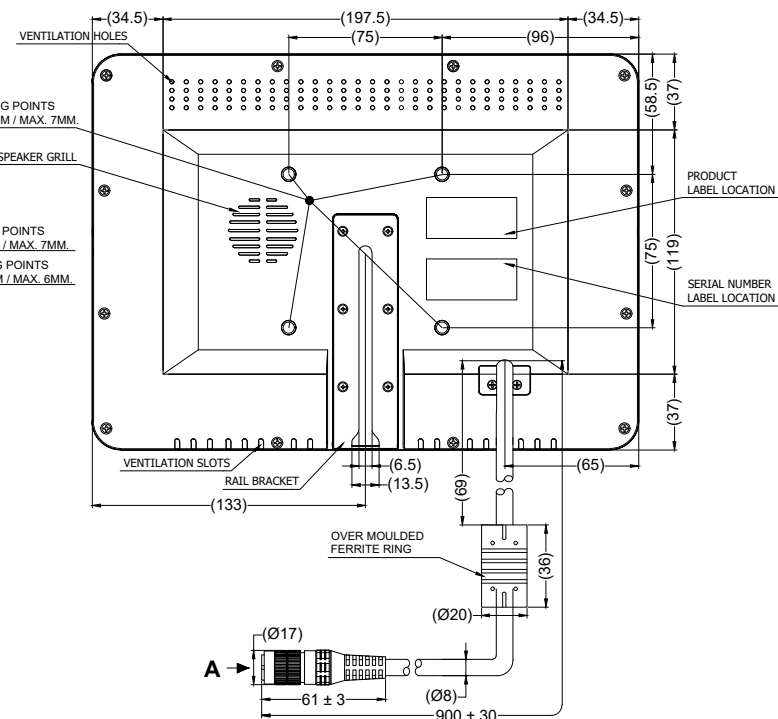
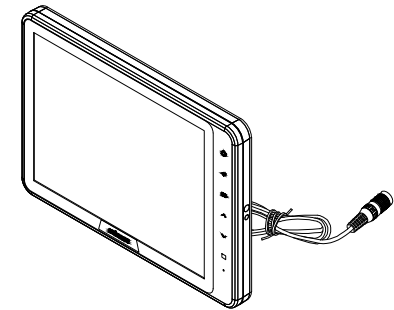
4 X M5X0.8MM MOUNTING POINTS
THREAD DEPTH MIN. 6MM / MAX. 7MM.

2 X M5X0.8MM MOUNTING POINTS
THREAD DEPTH MIN. 6MM / MAX. 7MM.

2 X M3X0.5MM MOUNTING POINTS
THREAD DEPTH MIN. 5MM / MAX. 6MM.

Revision Notes.

R1 - QUAD FW VERSION UPDATED TO BE-VBV-7104FM-V1.1.H00 / OSD FW VERSION UPDATED TO BE-VBV-7104FM-V1.1.H01 AS PER CR-A620
 APA: MARK LEE Drawn:W.BEAZLEY Checked:M.BUTLER Approved:B.CHILDS Date: 01/06/2018



NOTES:

- REFER TO "PRODUCT SPECIFICATION" FOR MORE DETAILS
- FOR PRODUCT LABEL REFER TO LATEST REVISION OF DRAWING BE-003465-XX-16.
- FOR PRODUCT SERIAL NUMBER LABEL REFER TO LATEST REVISION OF DRAWING BE-001323-XX-10.
- FIRMWARE VERSIONS TO BE PRELOADED TO THE MONITOR DURING MANUFACTURE: BE-VBV-7104FM-V1.1.H00 AND BE-VBV-7104FM-V1.1.H01 (QUAD AND OSD); BE-VBV-7104FM-V0.3.BIN (VIDEO SIGNAL CONVERSION); ITE7235-MO727-KO1A-V10.BIN (TOUCH BUTTON).
- FERRITE SPECIFICATION: 100Ω/25MHz, 200Ω/100MHz
- FRONT HOUSING: MATERIAL ABS 758 TRANSPARENT PLASTIC. COATING PROCESS SEQUENCE: WHITE PAINT (PL120-4869); BLACK PAINT (PL120-3897); BUTTON SYMBOLS LASER CARVING / EMBOSSED LOGO TO BE SILK PRINTED IN WHITE PAINT (PL120-4869); SOFT TOUCH PAINT (FL400-0196)
- REAR HOUSING AND CABLE CLAMP: MATERIAL ABS 757 BLACK PLASTIC. COATING PROCESS SEQUENCE: BLACK PAINT (PL120-3897); SOFT TOUCH PAINT (FL400-0196)



PROPRIETARY NOTICE

THIS DESIGN AND TECHNICAL INFORMATION APPEARING ON THIS DRAWING IS THE PROPERTY OF BRIGADE ELECTRONICS, AND IS DISCLOSED IN CONFIDENCE. IT IS NOT TO BE COPIED, REPRODUCED, REVEALED TO OR EXPROPRIATED BY OTHERS, EITHER IN WHOLE OR IN PART WITHOUT THE EXPRESS WRITTEN CONSENT OF BRIGADE ELECTRONICS.



Assembly Pl Approval YILING ZHANG (11/07/17)	Approved by D.WALLIN	Checked by R.PENTLEY	Drawn by M.BUTLER
Angle of Projection 	Units mm	Scale N/A	Released 11/07/17
Status DRAFT	Part No 4468A		
Third Angle		Assembly Ref -	
		VBV-7104FM-M	
		BE-003464-01-16	